

Shut off check valve 4175 - 4179

- Dezincification resistant brass
- Compression fittings or female thread
- Angle seat design



Description

Shut off check valve.

Construction

Shut-off check valve in brass and angle seat design. Spring-loaded check and shut-off valve and two plugged 1/2" connections on sides.

Model 4175 has one compression fitting 22CU and one moving nut 1". Plugged female thread 1/2" in the bottom.

Model 4176 has three compression fittings 22CU.

Model 4177 has two 22CU compression fittings and a connection with female thread 1/2" in the bottom.

Model 4178 has two compression fittings 15CU and a connection with female thread 1/2" in the bottom.

Model 4179 has three compression fittings 15CU and one plugged 1/2" connection on the side and for safety, vacuum and drain valves.

Marking

CR, flow direction arrow.

Technical data

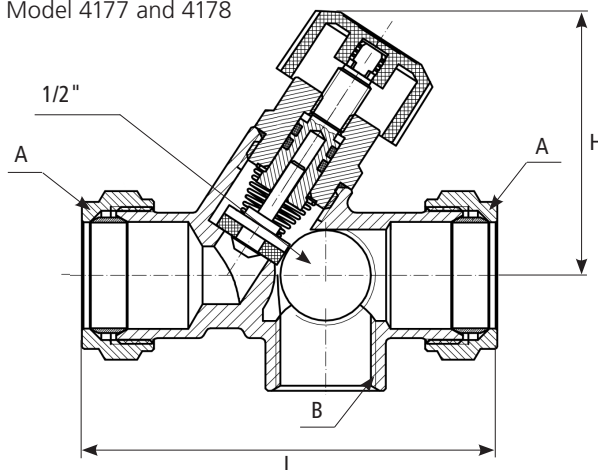
Body	Dezincification resistant brass CW625N
Seat gasket	EPDM
Stem gasket	EPDM

Maximum working pressure: 10 bar
 Maximum working temperature: +90°C
 Minimum working temperature: +2°C

Maintenance

Shut-off check valves are normally maintenance-free, but should be checked periodically.

Model 4177 and 4178



Item number	Description	Connection A	Connection B	Length L	Centrum height H	Weight (kg)
0441752000	Shut-off check valve 4175, 22CU x 1" F rotating nut	22CU x 1" F	1/2" F	90	55	0,37
0441762001	Shut-off check valve 4176, 22CU	22CU	22CU	88	55	0,39
0441772000	Shut-off check valve 4177, 22CU	22CU	1/2" F	88	55	0,36
0441781500	Shut-off check valve 4178, 15CU	15CU	1/2" F	83	54	0,31
0441791500	Shut-off check valve 4179, 15CU	15CU	15CU	83	54	0,28

All dimensions in millimetres

Subject to technical changes and corrections without notice